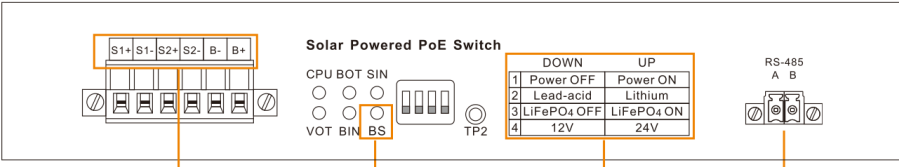
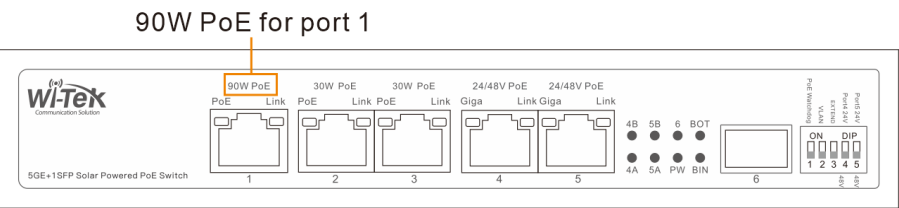
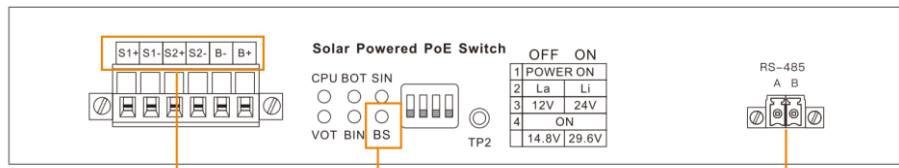
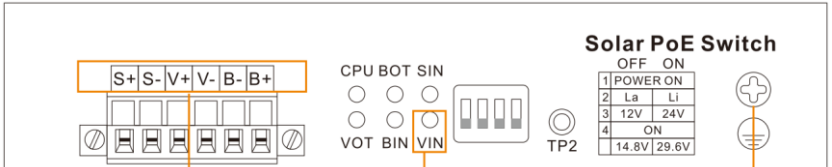








How to distinguish **WI-PS306GF-UPS-15A** versions

Option A: Distinguish by appearance

Hardware Version	Software Version	Different	Describe
V2	V1.34	 <p>Phoenix Connector Mark LED Indicator DIP Switch Mark RS-485</p>  <p>90W PoE for port 1</p>	<ol style="list-style-type: none"> 1, NEW DIP switch mark for NEW software 2, There is RS-485 terminal. 3, There is no grounding terminal. 4, Phenix connector mark is “S1+, S1-, S2+, S2-, B-, B+”. 5, LED indicator is “BS”. 6, 90W PoE for port 1.
V2	V1.30	 <p>Phoenix Connector Mark LED Indicator RS-485</p>	<ol style="list-style-type: none"> 1, There is RS-485 terminal. 2, There is no grounding terminal. 3, phenix connector mark is “S1+, S1-, S2+, S2-, B-, B+”. 4, LED indicator is “BS”.
V1	/	 <p>Phoenix Connector Mark LED indicator Grounding</p>	<ol style="list-style-type: none"> 1, There is grounding terminal. 2, Phenix connector mark is “S+, S-, V+, V-, B-, B+”. 3, LED indicator is “VIN”.

Option B: View the software version via WI-IOT100 on the cloud

Status Solar System Address: 1

Online Solar System 	0 W Charging Power 
0 W DC Power 	75 % @Discharging Battery 
12 W Load 	- Discharging Duration Time 

Battery Type 12.8V (10.2 ~ 14.8V) LiFePO4 Battery	Battery Charging Current 0.0 A
Battery Voltage 13.45 V	Battery Discharging Current 0.96 A
Battery Temperature -	Solar System Version V1.30

WI-PS306GF-UPS-15A Version Update Log

WI-PS306GF-UPS-15A hardware version V2.0, software version V1.34

- 1, Update the operation mode and mark of DIP switches to make it easier to understand and use.
 - 2, Update the 12.8V LiFePO4 battery maximum charging voltage from 14.8V to 14.6V, discharge cut-off voltage from 10.2V to 10V, and 25.6V LiFePO4 battery maximum charging voltage from 29.6V to 29.2V, discharge cut-off voltage from 20.4V to 20V, making it more compatible with more batteries.
 - 3, Update the port 1 from 60W PoE to 90W PoE.
-

WI-PS306GF-UPS-15A hardware version V2.0, software version V1.30

- 1, Added a RS-485 interface for IoT devices to upload solar and battery data to the cloud and configure battery parameters and alarms.
 - 2, Fixed the solar input Phoenix terminal mark from “S+, S-, V+, V-” to “S1+, S1-, S2+, S2-”.
 - 3, Fixed the LED indicator mark from “VIN” to “BS”.
 - 4, Remove the grounding terminal.
-

WI-PS306GF-UPS-15A hardware version V1.0

- 1, First version.